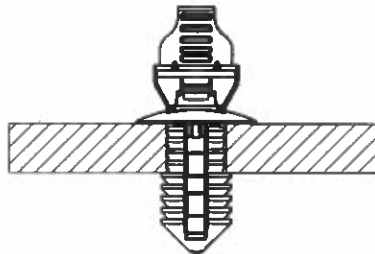
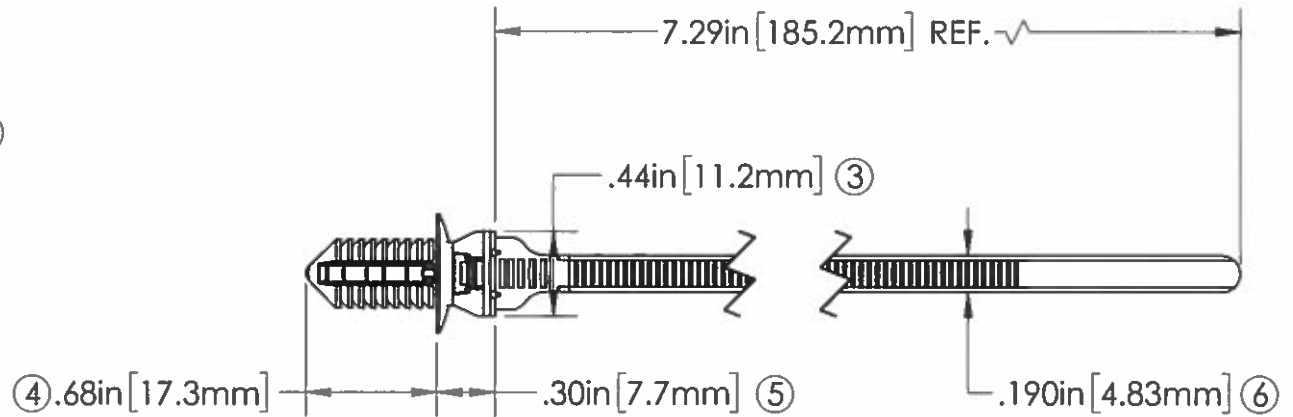
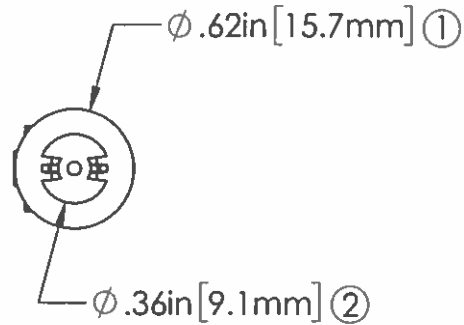


# AVERY DENNISON MARKETING SPECIFICATION

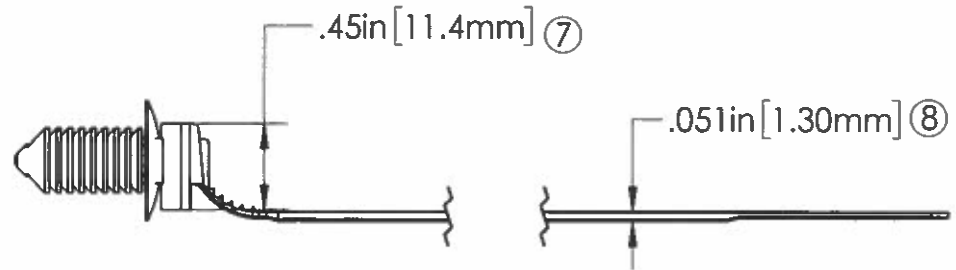
## HISTORY

REV.	DATE	DESCRIPTION
A	8/31/16	PRODUCTION RELEASE

THE SUBJECT MATTER DISCLOSED HEREIN EMBODIES PROPRIETARY INFORMATION WHICH IS THE CONFIDENTIAL PROPERTY OF THE AVERY DENNISON CO. NONE OF WHICH SHALL BE COPIED, REPRODUCED, DISCLOSED TO OTHERS, PUBLISHED OR USED IN WHOLE OR IN PART, FOR ANY PURPOSE OTHER THAN THAT FOR WHICH IT IS BEING MADE AVAILABLE WITHOUT THE EXPRESS ADVANCE WRITTEN PERMISSION OF A DULY AUTHORIZED AGENT OF THE COMPANY. THIS DOCUMENT IS THE PROPERTY OF THE AVERY DENNISON CO. AND IS TO BE RETURNED TO THE COMPANY ON DEMAND.



**ASSEMBLED VIEW**



△ = INDICATE SPECIAL CHARACTERISTICS

⑨	△	FLAMMABILITY:	HB RATED PER FMVSS302
⑩	△	TENSILE STRENGTH:	50 LBF / 222N MIN.
		MOUNTING:	8MM +/- .25 HOLE IN 0.7MM TO 7.0MM THICK PANEL AND M10 THREADED HOLE
		WEIGHT:	1.9 GRAMS
		TEMPERATURE RANGE:	-40°F (-40°C) TO 302°F (150°C) CONTINUOUS AND 329°F (165°C) MAXIMUM EXPOSURE
		BUNDLE DIAMETER:	Ø 1.6mm TO Ø 44.5mm
		TOOL:	TOOL, HAND ADJUSTABLE, FOR PLASTIC TIE DOWN STRAP. AVERY DENNISON PART NO. 12001
		TOOL TENSION SETTING:	6 - 8
		PACKAGING:	500/BAG, 10 BAGS/MASTER

APPROVALS:	ENG. APPR.	DATE
	<i>Mike D</i>	9/6/2016
	<i>Carroll Eubank</i>	9/6/16

SPECIFIED TOLERANCES ARE:		MATERIAL
.XX ± .03 INCHES	.X ± .7 mm	NYLON 6/6, IMPACT MODIFIED, HEAT STABILIZED
.XXX ± .010 INCHES	.XX ± .25 mm	COLOR
	ANGULAR: ± 2°	<b>BROWN</b>

<b>AVERY DENNISON</b> <small>FASTENER DIVISION                      FITCHBURG, MA 01420 U.S.A.                      TEL: 1-800-225-5913                      FAX: 978-353-8157</small>	DESCRIPTION
	<b>LONG 8MM FIR TREE TIE, HIGH HEAT</b>
STOCK NO.	REV.
<b>20117-HHBN</b>	<b>A</b>